

AXOR Starck X
Single lever basin mixer 80 with pop-up waste set
Surfaces: **Chrome** Article Number: **10070000**



Description

product features

- consists of: single lever basin mixer, waste set
- ComfortZone 80
- projection 112 mm
- wide flood jet
- swiveling spray former
- flow rate at 3 bar: 5 l/min
- joystick ceramic cartridge
- suitable for continuous flow water heaters
- pop-up waste set G 1¼
- connection dimension: DN15
- P-IX 18080/IO
- ETA VA 1.42/18420
- ACS 19 ACC LY 242, valide jusqu'au 09.07.2024
- WRAS 1806018
- WRAS 1806018
- JWWA C-501
- KCW-2018-0161_WTM
- Kiwa K6161_Mechanical Mixers EN817
- SINTEF 1423

Technology



Design awards



reddot design award

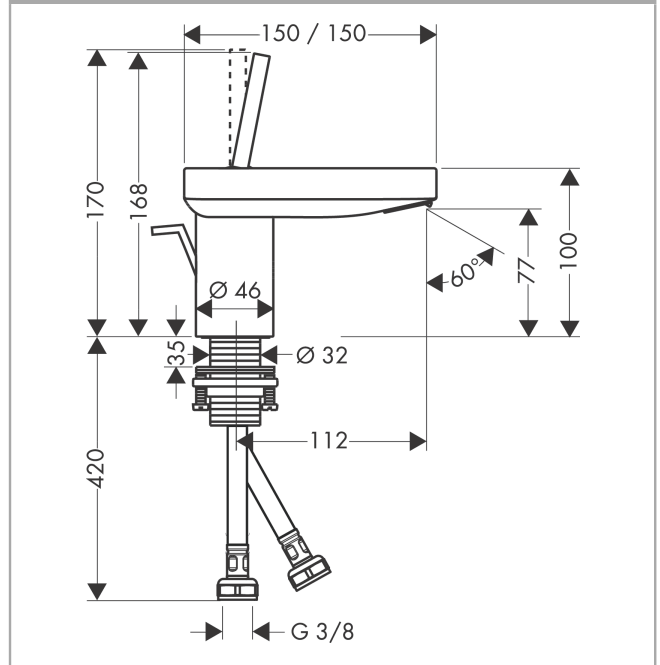
AXOR Starck X
Single lever basin mixer 80 with pop-up waste set
 Surfaces: **Chrome** Article Number: **10070000**



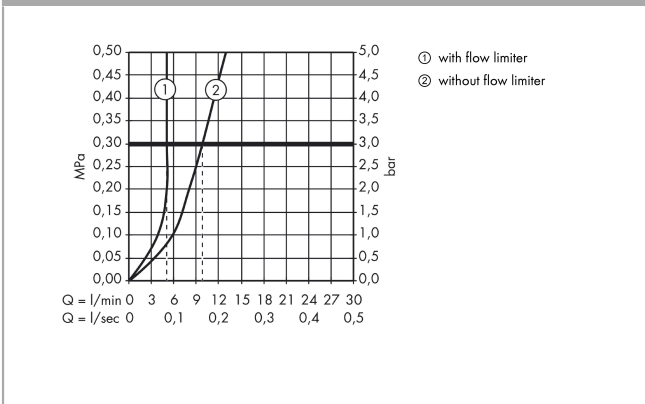
Product image



Scale drawing



Flowchart

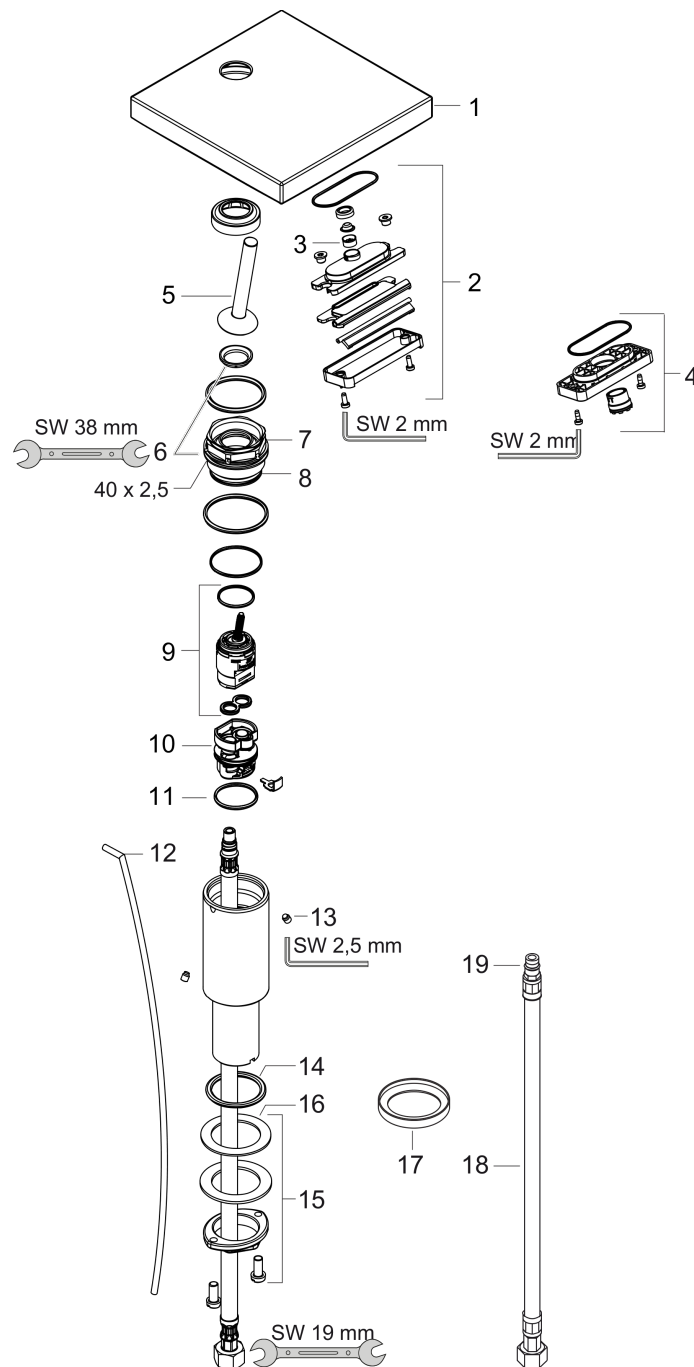


AXOR Starck X
Single lever basin mixer 80 with pop-up waste set
 Surfaces: **Chrome** Article Number: **10070000**



Exploded Drawing

Year of production: >03/12



AXOR Starck X
Single lever basin mixer 80 with pop-up waste set
 Surfaces: **Chrome** Article Number: **10070000**



Spare part list

Year of production: >03/12

Pos.	Description	Article Number	PC	PU
1	spout cpl.	97461000	18	1
2	spray former	97462000	9	1
3	flow limiter / non return valve	95363000	8	1
4	aerator laminar (7 l/min)	98610000	9	1
5	handle	10092000	12	1
6	nut	97464000	10	1
7	O-ring 36x3	98052000	1	1
8	O-ring 33x1,5	98164000	1	1
9	cartridge, assy	96339000	12	1
10	adapter for cartridge	95289000	7	1
11	O-ring 26x2	98147000	1	1
12	pull rod	97158000	7	1
13	hollow set screw M5x6	97768000	1	1
14	O-ring 34x4	98155000	1	1
15	fixing set (Ø 32)	13961000	7	1
16	lever collar	97548000	1	1
17	adapter	97693000	13	1
18	connection hose 450 mm M8x0,75 G3/8	97206000	8	1
19	O-ring 7x1,5	98422000	1	1
a	pop up waste	94139000	98	1
b	fixation extension 35 mm	13898000	12	1
c	service tool for disassembling the handle	92124000	15	1